





Herbicide Beams (Orchards And Berry Bush Plantations)

Proper care guarantees a successful harvest for plantations and orchards

JAGODA JPS is a manufacturer of high-quality modern herbicide beams intended for weed control in orchards and berry bush plantations.

Our beams are distinguished by reliable operation and their unique design allows to minimize the negative impact of herbicides on health and the environment:

-  the special design of the sprayer modules enables spraying as close to a bush or tree as possible;
-  the use of protective curtains and ejector nozzles protects against spraying tree branches and shrubs;
-  the tilting structure of the working part of the device allows for more precise application of the liquid in the working area, preventing spraying of the undesirable area and damaging the device;
- 

TELMA- Herbicide Beams For Orchards:

- is suitable for weed control in tree orchards. The beam can also be used for spraying under shrubs in berry plantations.
- Offer in double sided
- Hydraulic: lifting / lowering
- Hydraulic adjustable width
- Equipped with electro-valve 4-sections
- Customized bracket



TEKLA- Herbicide Beams For Berry Plantations:

- is designed to control weeds under shrubs in berry plantations: currants, gooseberries, chokeberry. It can also be successfully used in fruit farms for other fruit varieties
- Offer in double and single-sided
- Hydraulic adjustable width



TOLA- Herbicide Beams For Blueberry Plantations:

- is intended for weed control in blueberry bushes and can also be used with other berry shrubs as well as trees.
- Offer in double and single-sided
- Hydraulic width control
- Hydraulic lifting / lowering the beam
- Hydraulic tilting of the spraying heads

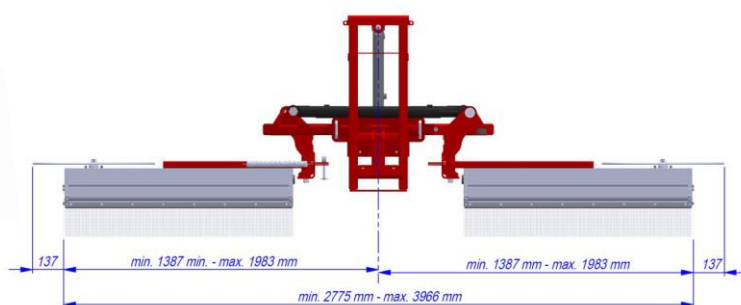




TELMA- Herbicide beams for orchards

The **herbicide beam TELMA** is suitable for weed control in tree orchards. The beam can also be used for spraying under shrubs in berry plantations.

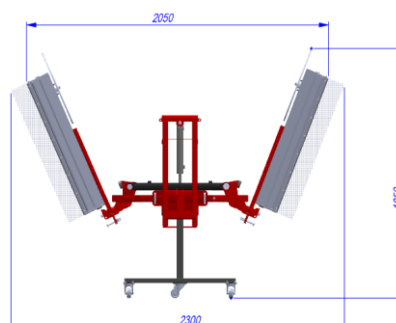
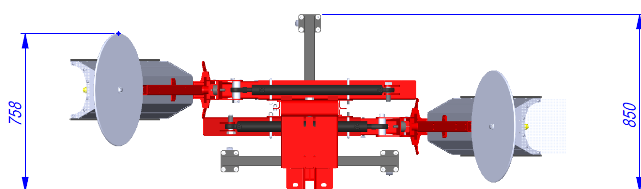
- Offer in double sided
- Hydraulic: lifting / lowering
- Hydraulic adjustable width
- Equipped with electro-valve
- Customized bracket



Technical Specification

Max. Working width	3966 mm
Min. Working width	2775 mm
Length	760 mm
Max. working height	975 mm
Scope of lifting/lowering of the working part	Hydraulic 200 mm
injecting of the working part	Hydraulic (2 x 500 mm)
Spray width	1000 mm (2000 mm without Shields)
Spray Pressure	2-4 bar
Working Speed	Up to 10 km/h
Working Capacity	Up to 1-2 ha/h
Attaching to the tractor (Front)	Customized bracket
Weight	135 Kg

Dimensions:





TEKLA- Herbicide beams for berry plantations

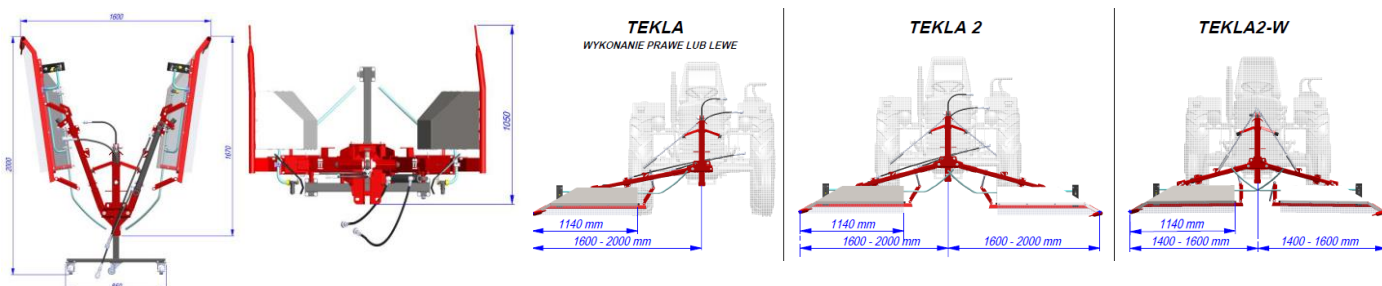
The herbicide beam **TEKLA** is designed to control weeds under shrubs in berry plantations: currants, gooseberries, chokeberry. It can also be successfully used in fruit farms for other fruit varieties.

- Offer in double and single-sided (symmetric & asymmetric)
- Hydraulic adjustable width
- The herbicide beam **TEKLA** is attached to the front of the tractor with the bracket used in the berry trimmer **FORMER** manufactured by our company.

Technical Specification

Version	TEKLA 1	TEKLA 2	TEKLA 2W
Attached to tractor (Front)	Bracket for the appropriate tractor with a common post for cutter (FORMER)		
Injecting working part	hydraulic / mechanic	hydraulic / mechanic	hydraulic / mechanic
Lifting the working part	hydraulic	hydraulic	hydraulic
Length without bracket	1 050 mm	1 050 mm	1 050 mm
Min working width.	1 600 mm	3 200 mm	2 800 mm
Max working width.	2 000 mm	4 000 mm	3 440 mm
Working height	1 150 mm	1 150 mm	1 150 mm
Spray width	1 140 mm	1 140 mm	1 140 mm
Spray pressure	2 – 4 bar	2 – 4 bar	2 – 4 bar
Working speed	Up to 10 km/h	Up to 10 km/h	Up to 10 km/h
Working capacity	0,5 - 1,0 ha/h	1,0 - 2,0 ha/h	1,0 - 2,0 ha/h
Weight	75 kg	125 kg	120 kg

Dimensions:





TOLA- Herbicide beams for blueberry plantations

TOLA herbicide orchard beam is designed to control weeds under the crowns of **blueberry bushes** and other shrubs and trees in the orchard crops.

- Offer in double and single-sided, mounted in front of tractor.
- Hydraulic width control to eject working part (left / right side independently)
- Hydraulic lifting / lowering the working part & hydraulic tilting of the spaying heads
- Spray module is spraying as close as possible to the bush. The position of the module relative to the bush can be changed at different angles (option: hydraulically)
- The special design of the modules protects the ballast in blueberry crops and protects

Technical Specification

Version	1-sided	1-sided Tilt cylinder	2-sided	2-sided Tilt cylinder
Attached type	Bracket for the appropriate tractor			
Length	520 mm	520 mm	600 mm	600 mm
Height (without stand)	800 mm	800 mm	800 mm	800 mm
Min Working width	790 mm	1 005 mm	1 580 mm	2 010 mm
Max. working width.	1 930 mm	1 930 mm	3 860 mm	3 860 mm
Hydraulic (Lifting/lowering)	300 mm	300 mm	300 mm	300 mm
Adjusting angle of tilting	35 °	35 °	35 °	35 °
Spray width	510 mm	510 mm	1 010 mm	1 010 mm
Spray pressure	2 – 4 bar	2 – 4 bar	2 – 4 bar	2 – 4 bar
Working speed	Up to 10 km/h	Up to 10 km/h	Up to 10 km/h	Up to 10 km/h
Working capacity	0,5 - 1,0 ha/h	0,5 - 1,0 ha/h	1,0 - 2,0 ha/h	1,0 - 2,0 ha/h
Weight	70 kg	70 kg	100 kg	100 kg

Dimensions:

