


Edition/ actualisation date	Product Card		Page
2014-11-14 / 2014-11-14			1 from 2
Name of the machine	Mower TOSIA		

Purpose


Orchard mower TOSIA is produced version 1.3 m. This model is widespread both in orchards and plantations of berry bushes. Body is made of steel, a cutting element makes up a rotor with blades and a counter blade. This allows the shredding of the cutting mass as well as the branches up to 30 mm diameter.

It is possible to use the mover by linking to the tractor either symmetrically or by shifting it to the right / left side of the tractor axle (depending on the version). The cutting height is regulated by the rear supporting shaft and the tractor's hydraulic lift.



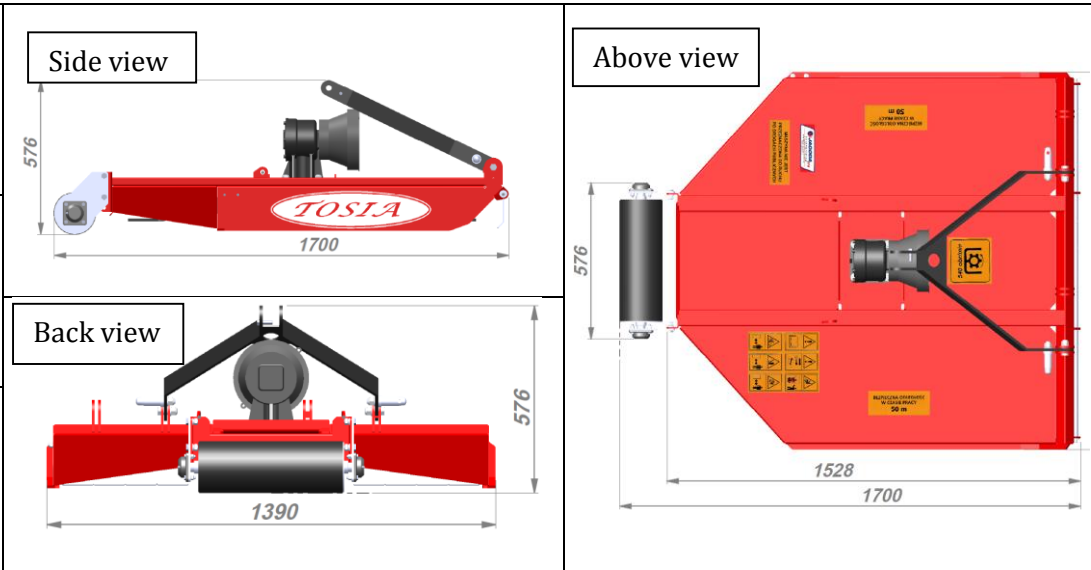
Technical specifications

Mounting method	Three-point linkage from the back. Category 1
Drive	From the tractor PTO by articulated telescopic shaft and angular gear
PTO rotation	540 turns / min
Slope mowing area	12 °
Working unit	The rotor with replaceable blades
Number of replaceable blades	4
Number of replaceable counter-blades	1
Cooperating tractor	15 kW
Cutting height	Min 20 mm
Mowing height regulation	Manual by supporting wheel and the tractor's hydraulic lift
Working speed	4 - 12 km / h
Working width	1 300 mm
Width	1 390 mm
Length	1 700 mm
Height	950 mm
Weight	120 kgs

Edition/ actualisation date	Product Card		Page 2 from 2
2014-11-14 / 2014-11-14			
Name of the machine	Mower TOSIA		

Shipment data

Length	1700 mm	Side view	Above view
Width	1390 mm	Back view	
Height	576 mm		



The technical drawings illustrate the dimensions of the Mower TOSIA from three perspectives:

- Side view:** Shows the length of 1700 mm and height of 576 mm. The brand name 'TOSIA' is visible on the side panel.
- Back view:** Shows the width of 1390 mm and height of 576 mm.
- Above view:** Shows the top-down dimensions, including a width of 1700 mm and a depth of 1528 mm. The height of the top panel is 576 mm. Safety and technical labels are visible on the top surface.