


Edition/ actualisation date	Product Card		Page 1 from 2
2015-03-05 / 2015-03-05			
Name of the machine	Mower JAGODA		

Purpose

Orchard mower JAGODA is produced in version 1.6 meter. This model is popular both in the orchard and in the berry bushes plantations.


The body is made of metal sheet and a cutting element of the rotating rotor blades and one counter blade. This allows to crumble the mowing mass as well as shredding branches up to 30mm in diameter.

Using mower is possible by the symmetrical mounting as well as by a shift of axis of the tractor to the left or to the right side, depending on the model version. Cutting height is regulated by a back supporting shaft and the hydraulic tractor's lift.

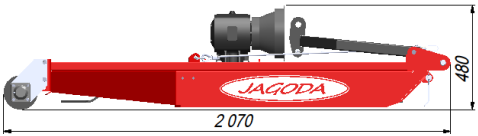
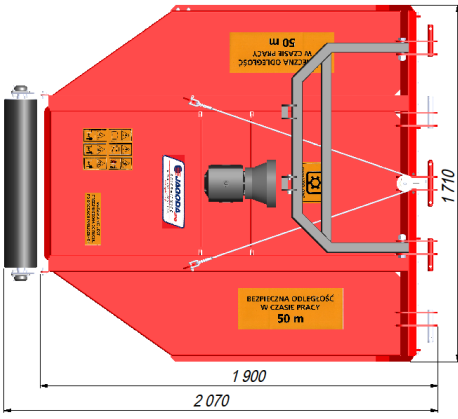
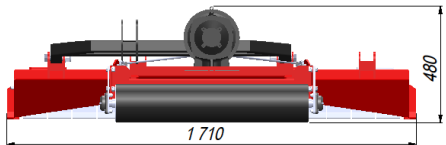


Technical specifications

Mounting method	Three-point linkage from the back. Category 1
Drive	From the tractor PTO by articulated telescopic shaft and angular gear
PTO rotation	540 turns / min
PTO	400 N / m
Slope mowing area	12 °
Working unit	The rotor with replaceable blades
Number of replaceable blades	4
Number of replaceable counter-blades	1
Cooperating tractor	Minimum category 2
Cutting width	1 600 mm
Cutting height	Min. 20 mm
Cutting height regulation	Manual by supporting wheel and the tractor's hydraulic lift
Working speed	4 - 12 km / h
Width	1 710 mm
Length	2 070 mm
Height	850 mm
Weight	210 kg

Edition/ actualisation date	Product Card		Page 2 from 2
2015-03-05 / 2015-03-05			
Name of the machine	Mower JAGODA		

Dispatch data

Length	2 070 mm	<div style="text-align: center;">Side view</div> 	<div style="text-align: center;">View from above</div> 
Width	1 710 mm	<div style="text-align: center;">Back view</div> 	
Height	480 mm		